



# '35-'40 FORD

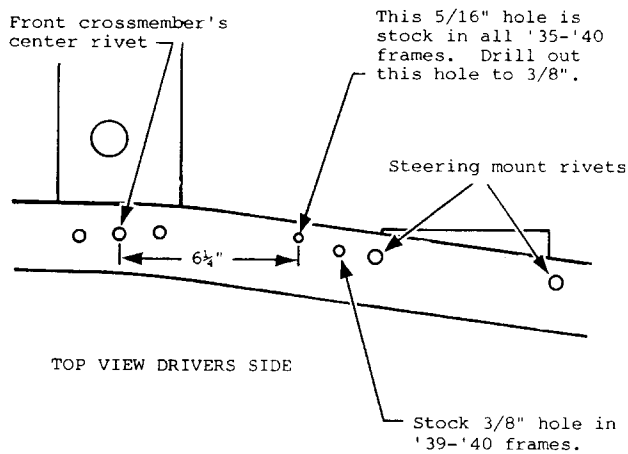
## SMALL BLOCK CHEVY MOTOR MOUNTS

Pete & Jake's Hot Rod Parts • 401 Legend Lane • Peculiar, MO 64078 • Tech line 800-334-7240

NOTE: Be sure to use original type '58-'72 Chevy rubber insulator mounts (non-interlock style).

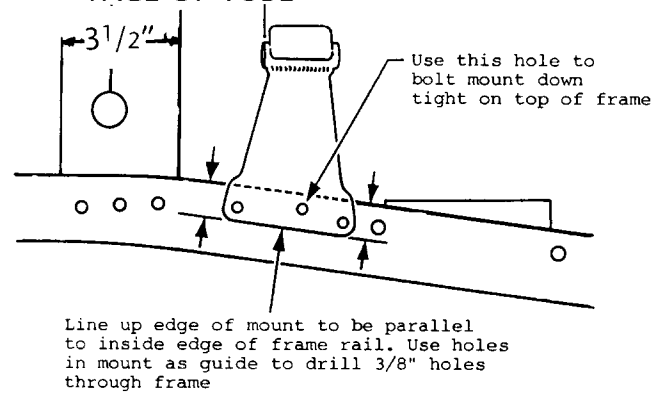
NOTE:  
MEASUREMENTS CAN VARY WITH  
ORIGINAL FRAMES

### STEP #1

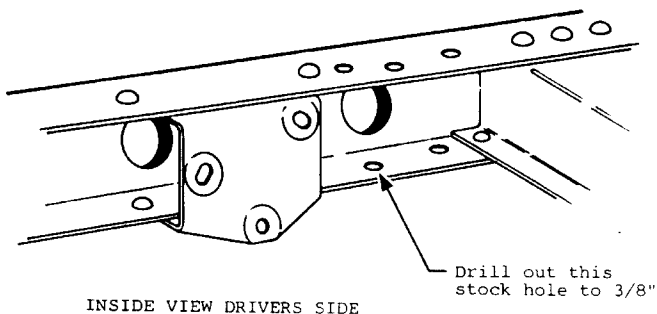


### STEP #2

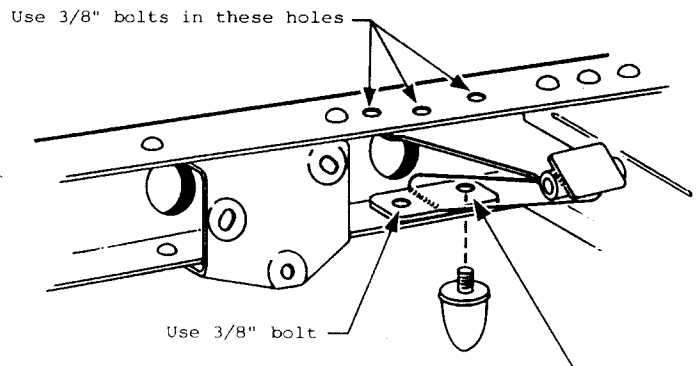
#### CENTER OF CROSSMEMBER TO FACE OF TUBE



### STEP #3



### STEP #4



Stock rubber suspension snubber bolts through frame and motor mount. If not using snubber, install 3/8" bolt in this hole.