

Instructions for #5005
(WELD IN)



'35-'40 FORD

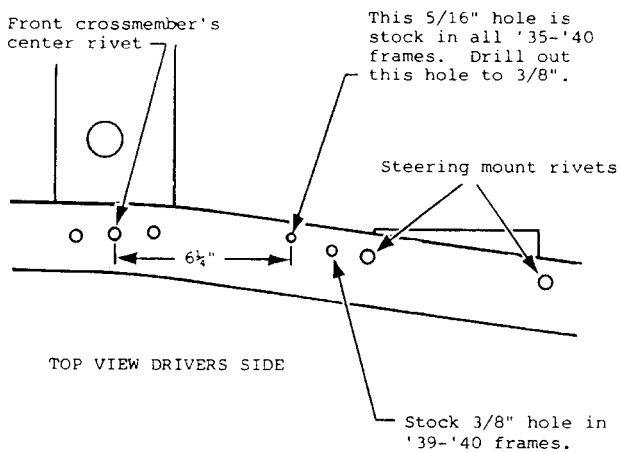
SMALL BLOCK CHEVY MOTOR MOUNTS

Pete & Jake's Hot Rod Parts • 401 Legend Lane •
Peculiar, MO 64078 • Tech line 800-334-7240

NOTE: Be sure to use original
type '58-'72 Chevy rubber insulator
mounts (non-interlock style).

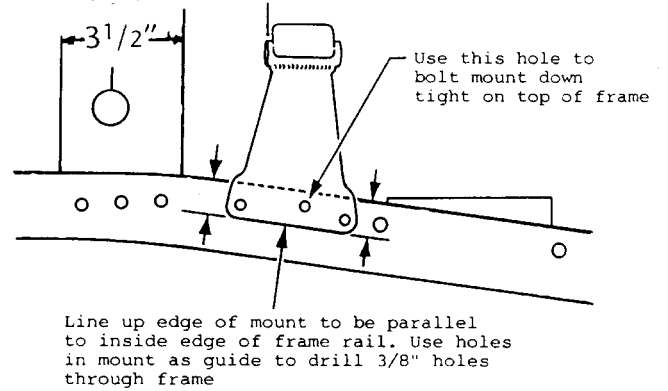
NOTE:
MEASUREMENTS CAN VARY WITH
ORIGINAL FRAMES

STEP #1

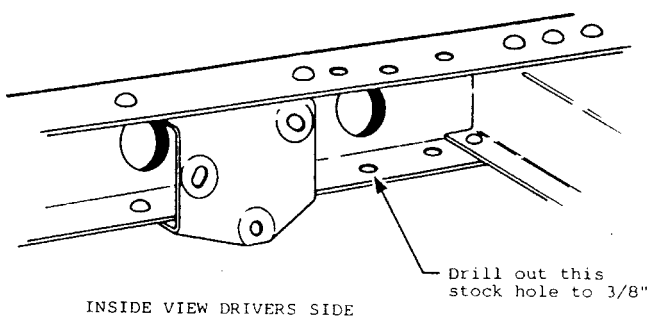


STEP #2

CENTER OF CROSSMEMBER TO
FACE OF TUBE



STEP #3



STEP #4

